



## Pallet Trucks

# T16 – T20 P

Capacity 1.6 t - 2.0 t | Series 1155

### Flexible manoeuvrability at its best

- Agile pallet truck for loading, unloading and fast transport of goods
- Foldable operator platform for flexible use in pedestrian and operating mode
- Narrow chassis width (720 mm) for manoeuvrability in tight environments
- Powerful motor for fast empty runs at up to 8.5 km/h
- Modern E/E architecture for fleet management integration and remote diagnosis

# TECHNICAL DATA (according to VDI 2198)

	1.1		Linde MH		Linde MH			
	1.2	Model	T16 P		T20 P			
Characteristics	1.2a	Series	1155-00		1155-00			
	1.3	Power unit	Battery		Battery			
	1.4	Operation	Pedestrian/stand-on		Pedestrian/stand-on			
	1.5	Load capacity/load	Q (t)	1.6		2.0		
	1.6	Load centre distance	c (mm)	600		600		
	1.8	Axle centre to fork face	x (mm)	896/965 <sup>1) 2)</sup>		896/965 <sup>1) 2)</sup>		
1.9	Wheelbase	y (mm)	BS	1230/1302 <sup>1) 2)</sup>		1230/1302 <sup>1) 2)</sup>		
			2 PzS	1305/1377 <sup>1) 2)</sup>		1305/1377 <sup>1) 2)</sup>		
Weights	2.1	Service weight	kg	BS	563			
				2 PzS	614			
	2.2	Axle load with load, front/rear	kg	1376/858		1695/939		
2.3	Axle load without load, front/rear	kg	130/484		130/484			
Wheels/tyres	3.1	Tyres rubber, SE, pneumatic, polyurethane	Polyurethane		Polyurethane			
	3.2	Tyre size, front	Ø 230 × 75		Ø 230 × 75			
	3.3	Tyre size, rear	85 × 105 (boggies = Ø 85 × 80)		85 × 105 (boggies = Ø 85 × 80)			
	3.4	Auxiliary wheels (dimensions)	2x Ø 125 × 40		2x Ø 125 × 40			
	3.5	Wheels, number front/rear (x = driven)	1x + 2/2 (1x + 2/4)		1x + 2/2 (1x + 2/4)			
	3.6	Track width, front	b10 (mm)	482 <sup>1)</sup>		482 <sup>1)</sup>		
3.7	Track width, rear	b11 (mm)	355/375/395/515 <sup>1)</sup>		355/375/395/515 <sup>1)</sup>			
Dimensions	4.4	Lift	h3 (mm)	125 <sup>3)</sup>		125 <sup>3)</sup>		
	4.9	Height of tiller arm in operating position, min/max	h14 (mm)	1186/1306 <sup>1)</sup>		1186/1306 <sup>1)</sup>		
	4.15	Height, lowered	h13 (mm)	86 <sup>4)</sup>		86 <sup>4)</sup>		
	4.19	Overall length	l1 (mm)	BS	2109 <sup>1)</sup>		2109 <sup>1)</sup>	
				2 PzS	2179 <sup>1)</sup>		2179 <sup>1)</sup>	
	4.20	Length to fork face	l2 (mm)	BS	952 <sup>1)</sup>		952 <sup>1)</sup>	
				2 PzS	1022 <sup>1)</sup>		1022 <sup>1)</sup>	
	4.21	Overall width	b1/b2 (mm)	720 <sup>1)</sup>		720 <sup>1)</sup>		
	4.22	Fork dimensions DIN ISO 2331	s/e/l (mm)	55 × 165 × 1150		55 × 165 × 1150		
	4.25	Fork spread	b5 (mm)	520/540/560/680 <sup>1)</sup>		520/540/560/680 <sup>1)</sup>		
	4.32	Ground clearance, centre of wheelbase	m2 (mm)	32		32		
	4.34.1	Aisle width for pallets 1000 × 1200 crossways	Ast (mm)	BS	2550 <sup>5)</sup>		2550 <sup>5)</sup>	
2 PzS				2622 <sup>5)</sup>		2622 <sup>5)</sup>		
4.34.2	Aisle width with pallet 800 × 1200 along forks	Ast (mm)	BS	2646 <sup>5)</sup>		2646 <sup>5)</sup>		
			2 PzS	2718 <sup>5)</sup>		2718 <sup>5)</sup>		
4.35	Turning radius	Wa (mm)	BS	1843/1915 <sup>2)</sup>		1843/1915 <sup>2)</sup>		
			2 PzS	1918/1990 <sup>2)</sup>		1918/1990 <sup>2)</sup>		
Performance	5.1	Travel speed, with/without load	km/h	8.5/8.5 <sup>4)</sup>		8.5/8.5 <sup>4)</sup>		
	5.2	Lifting speed, with/without load	m/s	0.037/0.042		0.033/0.042		
	5.3	Lowering speed, with/without load	m/s	0.07/0.065		0.07/0.069		
	5.8	Maximum climbing ability, with/without load	%	15/20		13/20		
	5.10	Service brake	Electric		Electric			
Drive	6.1	Drive motor rating at S2 60 min	kW	1.3		1.3		
	6.2	Lift motor rating at S3 15%	kW	1.2		1.2		
	6.3	Battery according to DIN 43531/35/36 A,B,C,no	2 PzS lateral change		2 PzS lateral change			
	6.4	Battery voltage/rated capacity (5 h)	(V)/(Ah) o. kWh	BS	24/150		24/150	
				2 PzS	24/250		24/250	
	6.5	Battery weight (±5%)	kg	BS	140		140	
				2 PzS	210		210	
	6.6	Energy consumption according to EN 16796	kWh/h	0.251		0.289		
6.6.1	CO <sub>2</sub> equivalent according to EN 16796	kg/h	0.135		0.156			
6.7	Turnover output	t/h	110		140			
6.8	Turnover efficiency	t/kWh	163		176			
Others	8.1	Type of drive unit	AC control		AC control			
	10.7	Sound pressure level at the operator's ear	dB(A)	65		65		

1) (+5 mm)

2) Load arms raised/lowered

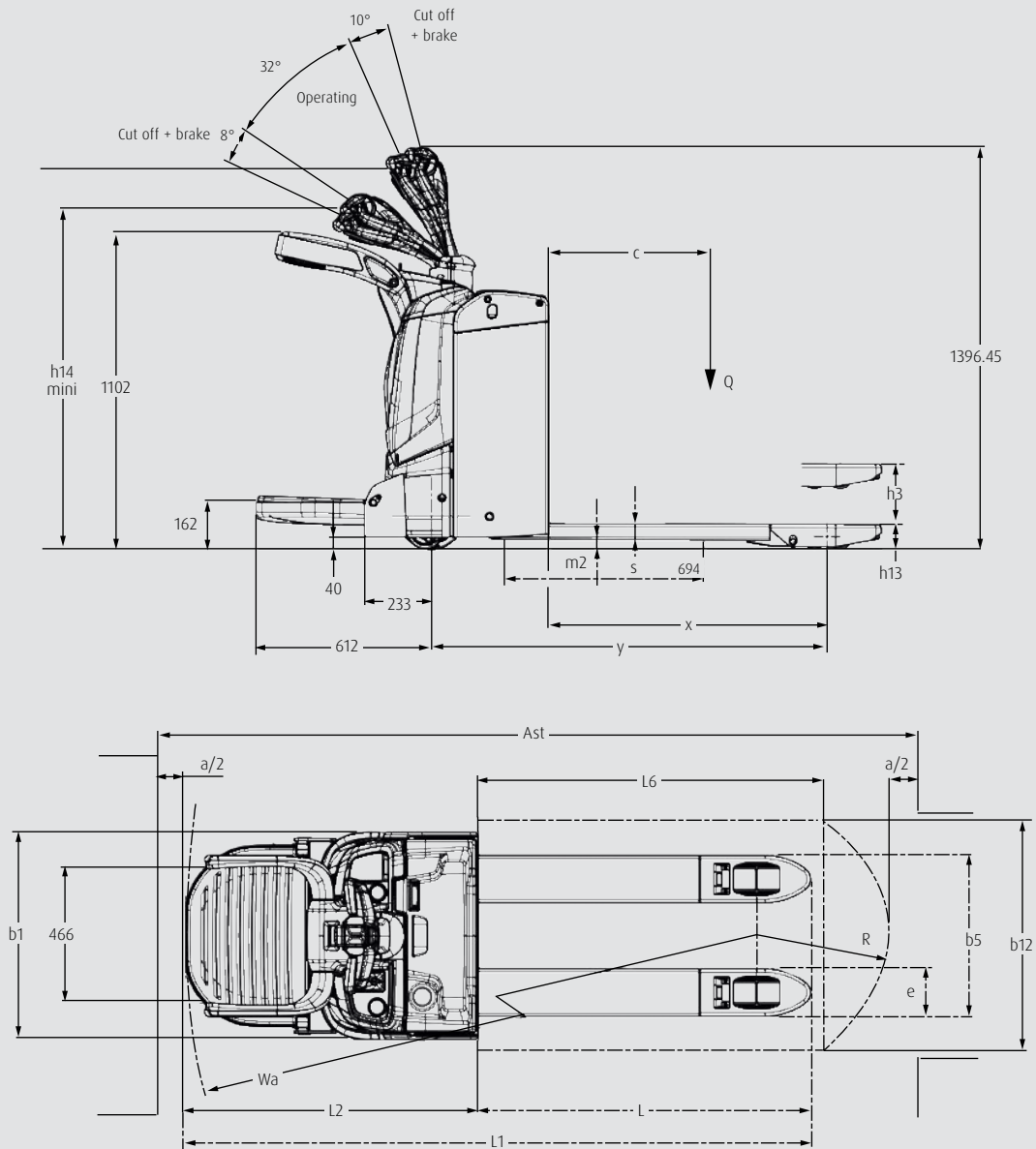
3) (0/-5 mm)

4) (0/+5 mm)

5) Including a 200 mm (min.) operating aisle clearance

6) (±5%)

# T16 - T20 P



T16 P



T20 P



# STANDARD AND OPTIONAL EQUIPMENT

Model/equipment		T16 P	T20 P
Safety	Foldable sideguards	○	○
	Low chassis skirt	●	●
	Linde BlueSpot®	○	○
	Linde Curve Assist	●	●
	Emergency stop button	●	●
	Buzzer	●	●
	Horn	○	○
	Key switch	●	●
	Log in PIN code	○	○
Service	CAN bus technology	●	●
Digitalisation	Data transmission online	○	○
	Data transmission WiFi	○	○
	Linde connect:desk - local fleet management with different functional modules	○	○
	Linde connect:cloud - fleet management as a service (hosted version)	○	○
	Linde Pre-Op Check app - customisable daily checks	○	○
Operation/load handling	Creep speed - for operation with tiller in vertical position	○	○
	Multi-function display hour meter, maintenance indication, battery discharge indicator and internal fault code indication	○	○
	Ergonomic tiller head with easy access to the controls	●	●
	Load backrest h = 1800 mm - from the ground	○	○
	Belly switch ON mode while operating	○	○
	Support clipboard and scanner	○	○
	Lift and stop sensor	○	○
	Metallic battery cover	○	○
Environment	Coldstore -35°C (in/out) with metallic or mat grid	○	○
Attachment/forks	Fork width: 520 mm, 540 mm, 560 mm, 680 mm	○	○
	Fork length: 1150 mm, 1200 mm, 1600 mm - with overhang 188 mm	○	○
	Fork length: 2400 mm - with overhang 563 mm	○	○
Axles and tyres	Drive wheel standard duty	●	●
	Drive wheel heavy duty, high grip	○	○
	Single load wheels, polyurethane	●	●
	Tandem load wheels, polyurethane	○	○
	Single load wheels, polyurethane greasable	○	○
	Tandem load wheels, polyurethane greasable	○	○
	Auto-adjustable castor wheels	●	●
Drive and braking system	Maintenance-free AC motor	●	●
	Electromagnetic braking system	●	●
	Li-ION technology available - different battery capacities with lateral mounted opportunity charging plug	○	○
	Lead acid battery technology	○	○
	Battery compartment, 2 PzS BS, vertical change	○	○
	Battery compartment 2 PzS, lateral or vertical change	○	○
	Integrated charger for lead-acid and Li-ION batteries	○	○
	External chargers available	○	○

● Standard equipment

○ Optional equipment

# CHARACTERISTICS



Robust foldable sideguards

## Safety

- Robust foldable sideguards for optimal protection against injuries
- Linde Curve Assist for maximum safety when cornering
- Four independent braking systems for the best possible protection in every situation
- Load backrest to prevent the load from sliding back (optional)
- Linde BlueSpot® for visual warning in busy environments (optional)



Electrical steering for effortless vehicle control

## Ergonomics

- Cushioned operator platform to protect against vibrations and shocks
- Electric power steering for effortless vehicle control
- Steering angle of 65° to facilitate operation
- Ideally positioned controls for effortless operation with either hand
- Multi-function display for overview of all important information



Foldable damped platform

## Handling

- Creep speed enables precise, convenient load handling
- Effortless folding up and down of the platform
- Powerful motor for fast transport travel
- Sprung auto-adjustable castor wheels as standard for constant traction and stability to the ground
- New generation of Li-ION batteries for maximum energy efficiency
- Onboard charger for both Li-ION and lead acid batteries (optional)



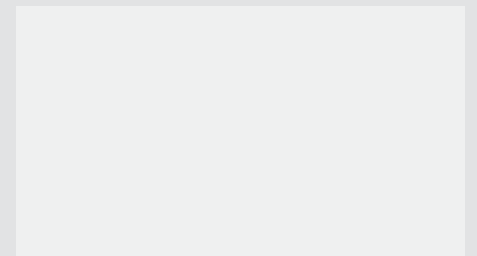
Easy access to all relevant components

## Service

- Maintenance-free drive motor for permanently low service costs
- Solid construction for maximum vehicle availability
- Service-friendly design for speedy maintenance
- Quick problem diagnosis via laptop
- Modern E/E structure for a wide range of digital functions

Subject to modification in the interest of progress. Illustrations and technical details could include options and are not binding for actual constructions. All dimensions subject to usual tolerances.

Presented by:



**Linde Material Handling GmbH**  
Carl-von-Linde-Platz | 63743 Aschaffenburg | Germany  
Phone + 49 6021 99 0 | Fax + 49 6021 99 1570  
www.linde-mh.com | info@linde-mh.com

Printed in Germany | DS\_T16-T20\_P\_1155\_en\_A\_0423